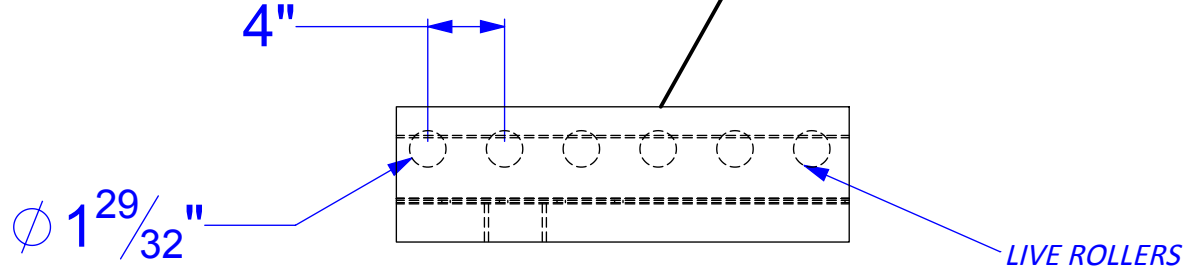
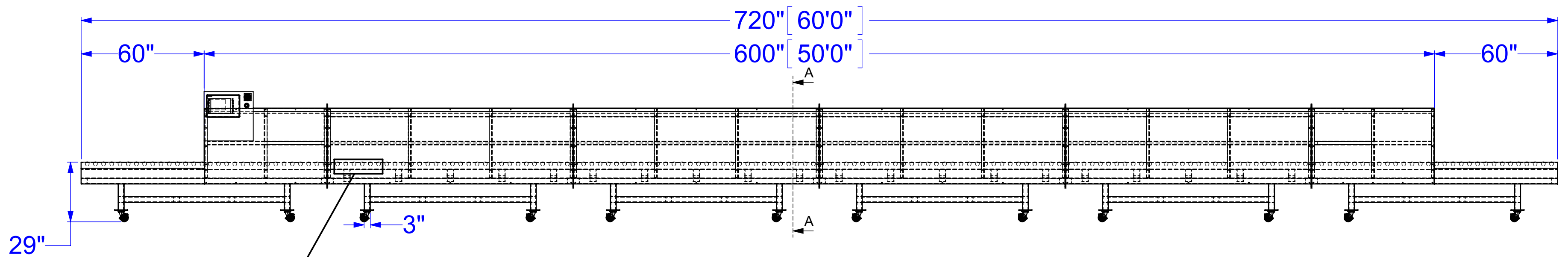
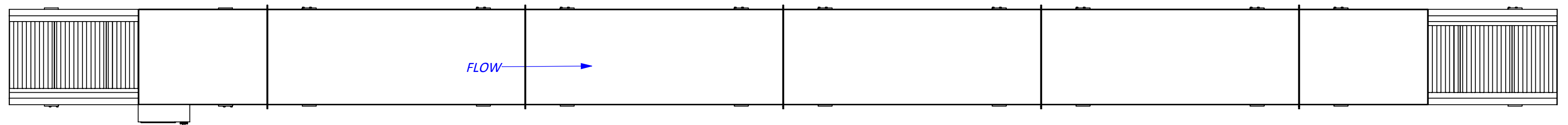
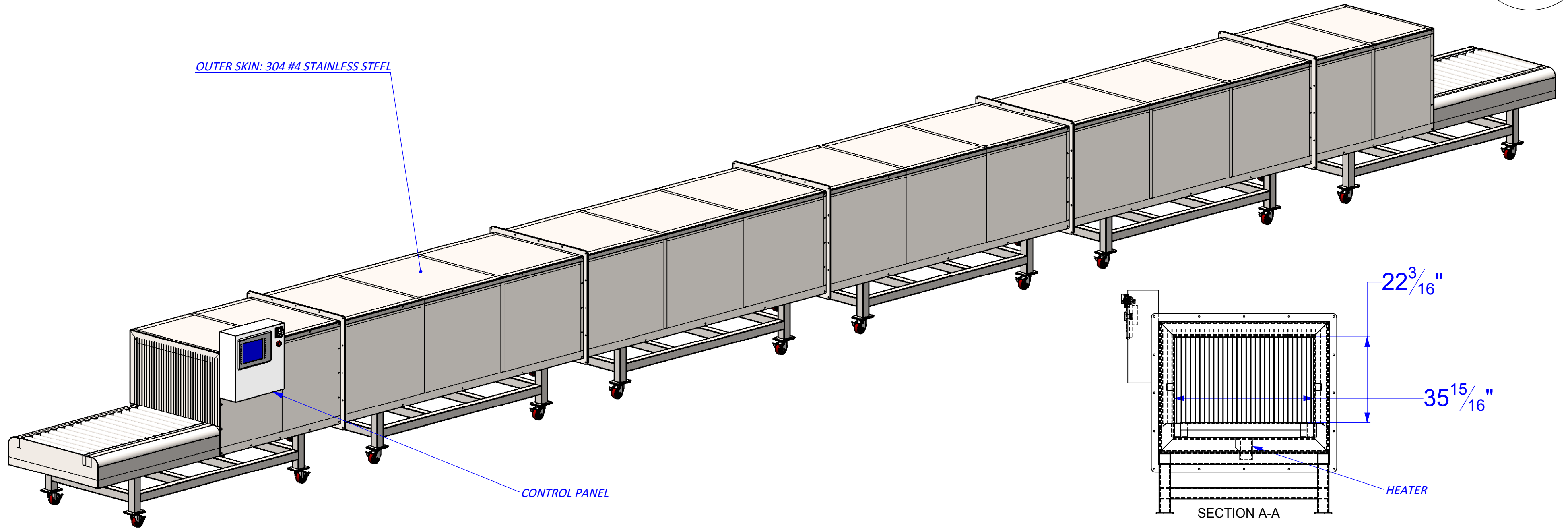


ASBLY-BED BUG MACHINE-14248-PU1
GENERAL & DETAIL VIEW

SPEED: 10-30 FT/MIN
MOTOR: 3/60/480 1HP

QTY: 4

U1



RBM
CONVEYOR SYSTEMS, INC.
1570 West Mission Boulevard
Pomona, California 91766
Phone: (909) 620-1333
Fax: (909) 620-6119

PROJECTION:

UNLESS OTHERWISE SPECIFIED
DIMENSIONS ARE IN INCHES
TOLERANCES:
DECIMAL ANGULAR FRACTIONS
0.00 0.0 1/32

| | | | | | | | |
|--------------|---|--------------|------------|-------------------|---|------------|---------------------|
| REV. SYMBOL | A | □ | SAMPLE | DESCRIPTION | 04-12-99 | A.G. | D.C. |
| FOR: | AERO 3D | DESIGNED BY: | A.A. | DATE: | | BY | CHECKED |
| TITLE: | ASBLY-BED BUG MACHINE-14248-PU1 BUCKET ELEVATOR GENERAL & DETAIL VIEW | | | | | | |
| DRAWN BY: | A.A. | DATE: | 10/22/2014 | JOB or PROP. NO.: | 2014-248-P | DWG NO.: | ASBLY-14248-PU1-GDV |
| APPROVED BY: | | DATE: | | REV.: | C | SCALE: | NONE |
| | | | | NOTICE: | THIS IS THE EXCLUSIVE PROPERTY OF RBM CONVEYOR SYSTEM, INC. AND IS NOT TO BE REPRODUCE INPRINT OR CONSTRUCTION WITHOUT WRITTEN AUTHORIZATION FROM RBM CONVEYOR SYSTEM, INC. | | |
| | | | | SIZE: | C | SHEET NO.: | 1 OF 1 |